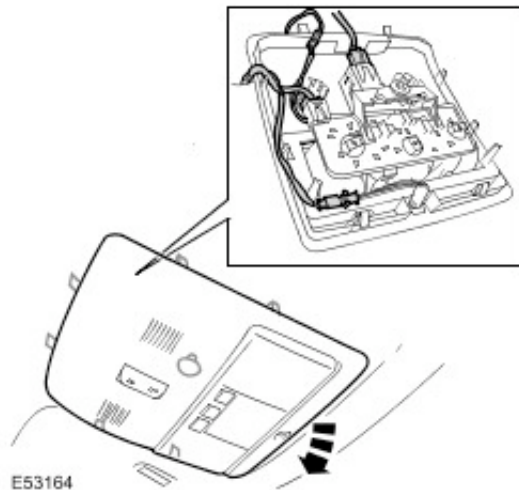


Tire Pressure Monitoring System Module (86.54.05)

Removal

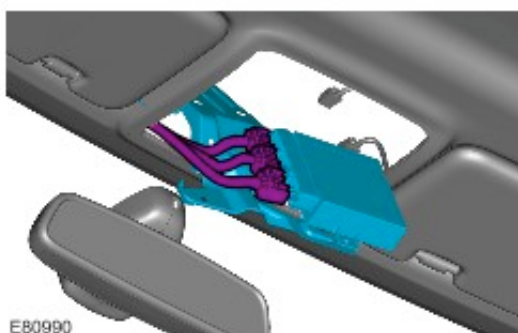
- 1 . Remove the overhead console.



- 2 . Remove the tire pressure monitoring module and bracket assembly.



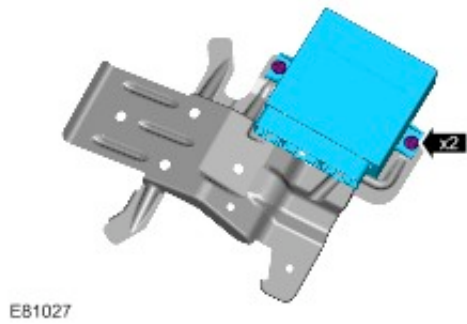
- 3 . Disconnect the electrical connectors.



- 4 . **NOTE:**

Do not disassemble further if the component is removed for access only.

Remove the tire pressure monitoring module.



Installation

- 1 . Install the tire pressure monitoring module.
- 2 . Install the tire pressure monitoring module and bracket assembly.
 - ▶ Install and tighten the bolts to 25 Nm (18 lb.ft).
- 3 . Install the overhead console.