

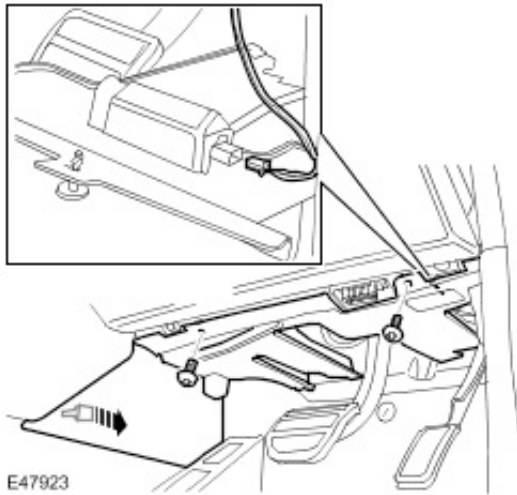
Dynamic Response Module (60.60.01)

Removal

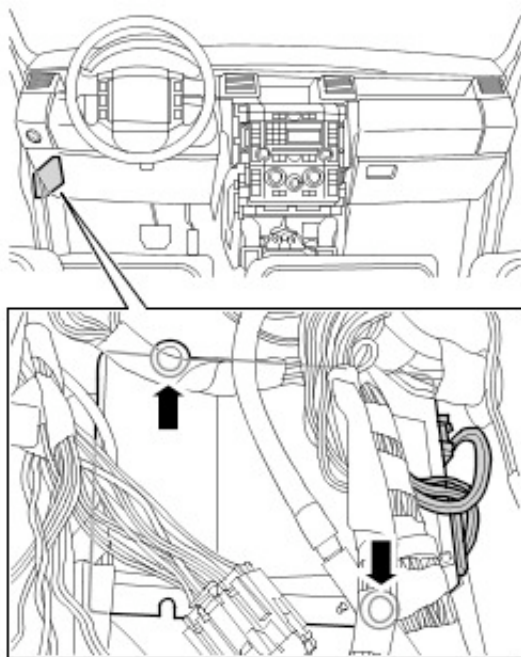
NOTE:

The dynamic response module is always located on the driver's side of the vehicle.

- 1 . Remove the cowl side trim panel.
For additional information, refer to [Cowl Side Trim Panel \(76.13.27\)](#)
- 2 . Remove the closing trim panel.
 - ▶ Release the clip.
 - ▶ Remove the 2 screws.
 - ▶ Disconnect the electrical connector.



- 3 . Remove the dynamic response module.
 - ▶ Remove the 2 bolts.
 - ▶ Disconnect the 2 electrical connectors.



E53030

Installation

- 1 . Install the dynamic response module.
 - ▶ Connect the electrical connectors.
 - ▶ Tighten the 2 bolts to 4 Nm (3 lb.ft).

- 2 . Install the closing trim panel.
 - ▶ Connect the electrical connector.
 - ▶ Secure the clip.
 - ▶ Tighten the screws.

- 3 . Install the cowl side trim panel.
For additional information, refer to [Cowl Side Trim Panel \(76.13.27\)](#)

- 4 . Initiate a new control module using T4.