

Upper Accelerometer (60.60.02)

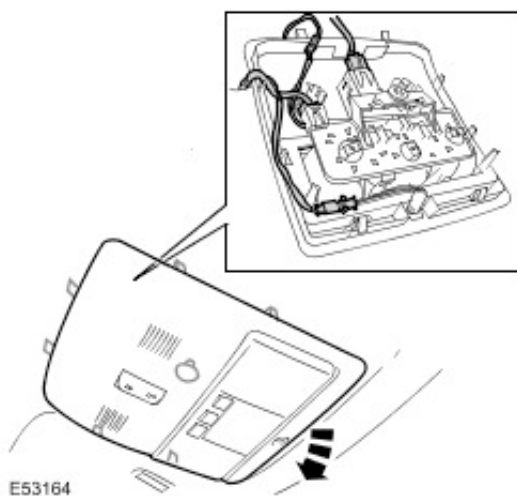
Special Service Tools




Accelerometer remover/replacer
204-505 (LRT-60-014A)

Removal

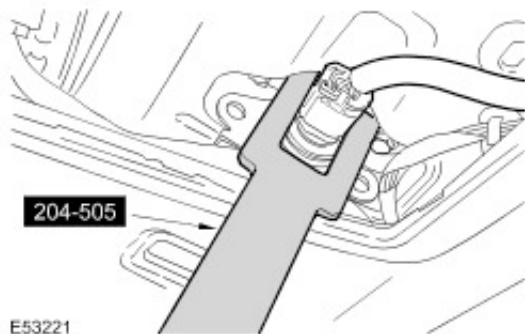
- 1 . Disconnect the battery ground cable.
For additional information, refer to [Specifications](#)
- 2 . Remove the front overhead console.
 - ▶ Carefully release the 9 clips.
 - ▶ Disconnect the 2 electrical connectors.




- 3 .  **CAUTION: The accelerometer is an extremely delicate component and can easily be rendered unserviceable. Never use an accelerometer which has been dropped or subjected to mistreatment of any type.**



Remove the upper accelerometer.

- ▶ Using the special tool, release the accelerometer.
- ▶ Release and disconnect the electrical connector.



Installation

- 1 . Using the special tool, install the upper accelerometer.
 -  Connect and secure the electrical connector.

- 2 . Install the front overhead console.
 -  Connect and secure the electrical connectors.
 -  Carefully secure the clips.

- 3 . Connect the battery ground cable.
For additional information, refer to [Specifications](#)

- 4 . Using T4, calibrate the dynamic response system.