

## Rear Air Shock Absorber (64.30.02.45)

### Special Service Tools



Air spring tester  
204-538



Band-it Thrift tool  
100-050 (LRT-99-019)

### Removal

#### NOTE:

This procedure should also be used to remove the rear air spring.

1



**WARNING: Do not work on or under a vehicle supported only by a jack. Always support the vehicle on safety stands.**

Raise and support the vehicle.

2 . Remove the wheel and tire.

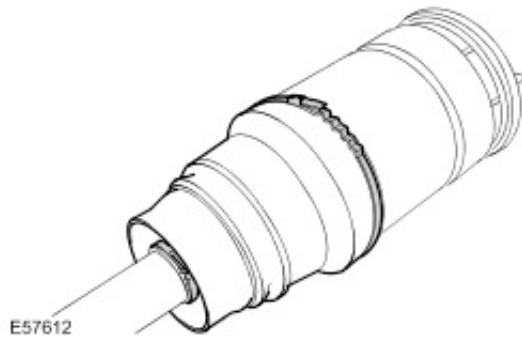
3 . Remove the shock absorber and spring assembly.

For additional information, refer to [Rear Shock Absorber and Air Spring Assembly \(64.21.01.99\)](#)

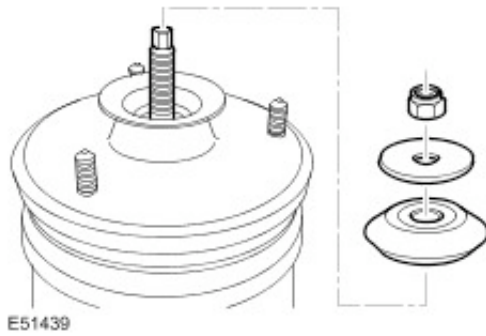
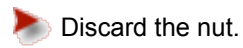
4 . Remove the gaiter.



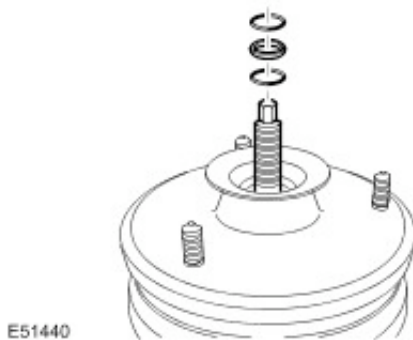
Remove and discard the 2 straps.



5 . Remove the nut, rebound washer and rubber bushing.



6 . Remove and discard the O-ring seals and spacer.



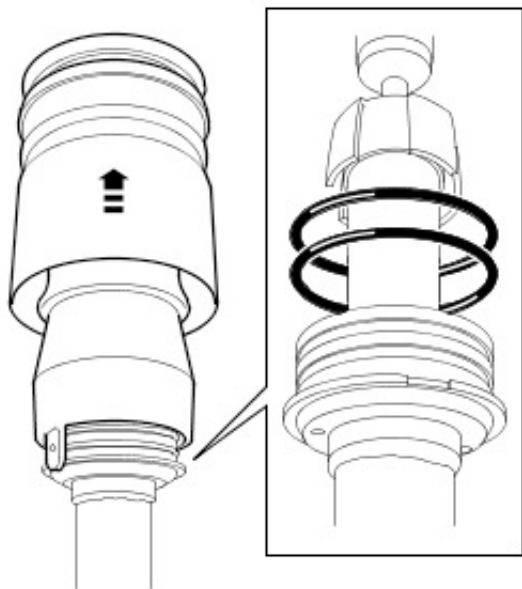
7 . Remove the nylon retaining pin.



8 . Remove the rebound plate and spring aid.

9 Remove the air spring.

- ▶ Using a soft faced mallet, gently tap the sleeve support upwards to release it from the O-ring seals.
- ▶ Remove and discard the 2 O-ring seals.

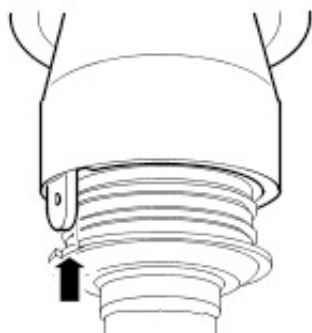


E51442

10 . Remove the shock absorber from the vise.

### Installation

- 1 . Install the shock absorber in the vise.
- 2 . Clean the components.
- 3 . Lubricate and install new O-rings to the seal carrier.
- 4 . Install the spring aid and rebound plate.
- 5 . Install the air spring.
  - ▶ Align the piston with the first O-ring seal, making sure the location tag is correctly aligned.

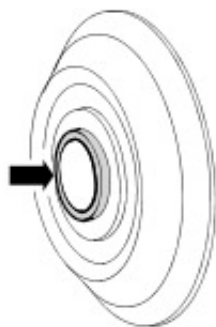


E51443

6 . Install the new O-ring seals and spacer, taking care not to damage the seals.

7 . Install the rubber bushing and rebound washer.


▶ Make sure the formed insert on the bushing is located against the O-ring seal.



E51444

8 . Install and lightly tighten the nut.

9 .  **CAUTION: The air supply must be free of any moisture.**

 **CAUTION: If during disassembly the air sleeve is unrolled, the air sleeve may inflate incorrectly (to one side). If this occurs, release the air pressure, and insert a suitable tool that will not damage the air sleeve or piston (a screw driver handle), into the side opposite the bulge. Inflate and deflate until the air sleeve inflates correctly (the air sleeve will be uniform inside the shroud).**

Install the air spring piston over the O-ring seals.

▶ Using the special tool coupled to a tire inflator with a gauge, apply approximately 2 bar of air pressure to the air spring to fully seat the piston over the O-ring seals.

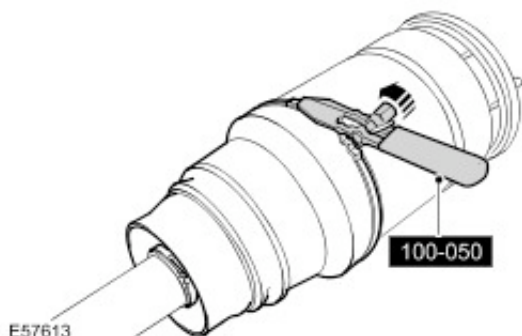
10 . Tighten the top nut to 98 Nm (72 lb.ft).

11 Check the assembly for leaks.

- ▶ Inflate the module to 4 bar and check for pressure loss.
- ▶ If a leak is suspected, immerse the spring and shock absorber assembly in a tank of water to locate the source of the leak.

12 . Install the gaiter.

▶ Using the special tool, install new straps.



13 . Install the shock absorber and spring assembly.

For additional information, refer to [Rear Shock Absorber and Air Spring Assembly \(64.21.01.99\)](#)