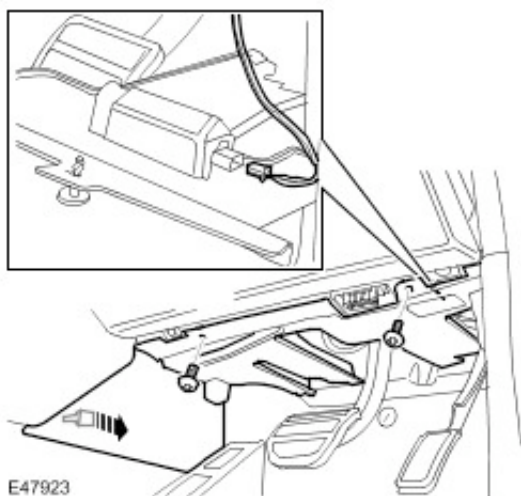


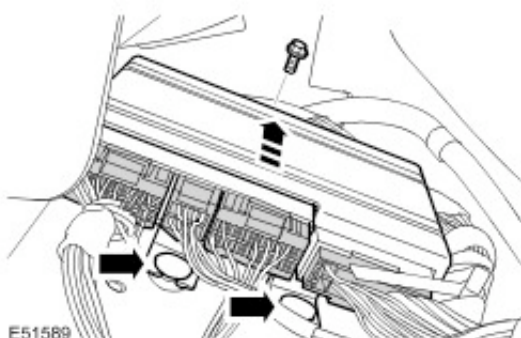
Air Suspension Control Module (60.50.04)

Removal

- 1 . Driver side: Remove the cowl side trim panel.
For additional information, refer to [Cowl Side Trim Panel \(76.13.27\)](#)
- 2 . Remove the closing trim panel.
 - ▶ Release the clip.
 - ▶ Remove the 2 screws.
 - ▶ Disconnect the electrical connector.






- 3 . Remove the air suspension control module.
 - ▶ Disconnect the 4 electrical connectors.
 - ▶ Remove the bolt.
 - ▶ Release from the 2 clips.






Installation

- 1 . Install the air suspension control module.

-  Secure with the clips.
-  Connect the electrical connectors.
-  Tighten the bolt to 9 Nm (7 lb.ft).

2 . Install the closing trim panel.

-  Connect the electrical connector.
-  Secure the clip.
-  Tighten the screws.

3 . Install the cowl side trim panel.

For additional information, refer to [Cowl Side Trim Panel \(76.13.27\)](#)

4 . Initiate a new control module using T4.