

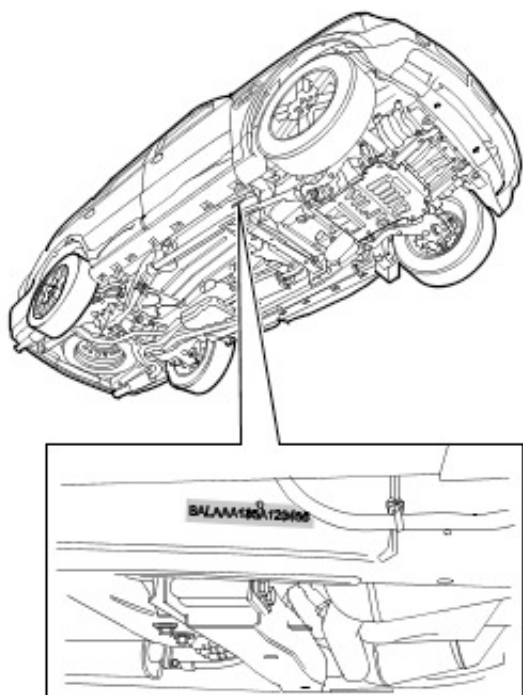
## Identification Codes

### VIN Number

The VIN number will be found in three locations:

- 1. Stamped on the side of the RH longitudinal member, rearward of the body front mounting.
- 2. At the bottom of the windshield glass on the LH side of the vehicle and visible from the outside.
- 3. **UK, Europe and ROW - Not NAS/Canada** -On the VIN plate attached to the bonnet locking platform.
- 4. **NAS/Canada** - On the Tire Data/Specification label attached to the front of the LH B-pillar.

### Longitudinal Member VIN



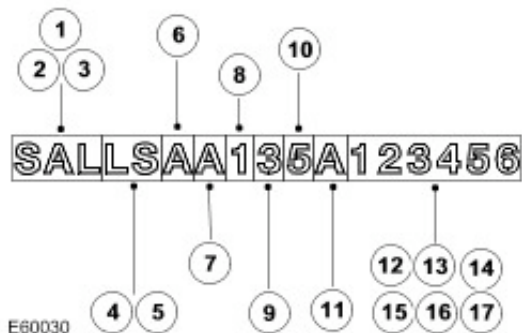
E60028

### Windscreen VIN



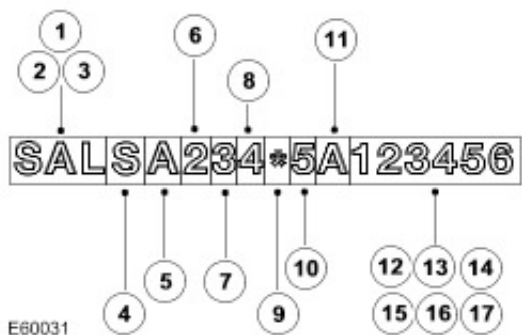
E60029

### VIN number - UK, EU and ROW



VIN Position	Character	Identifies
1 - 3 - World identifier	SAL	Land Rover (UK)
4,5 - Vehicle type	LS	Range Rover Sport
6 - Class	A	Standard
7 - Body style	A	4 Door
8 - Engine	1	276DT - V6 2.7 Diesel
8 - Engine	3	428PS - AJV8 4.2 SC Petrol
8 - Engine	5	448PN - AJV8 4.4 Petrol
9 - Transmission and steering	3	RHD Automatic
9- Transmission and steering	4	LHD Automatic
10 - Model year	5	2005
10 - Model year	6	2006
10 - Model year	7	2007
10- Model year	8	2008
11 - Plant	A	Solihull
12 - 17 - Serial number	1 2 3 4 5 6	Unique six digit serial number

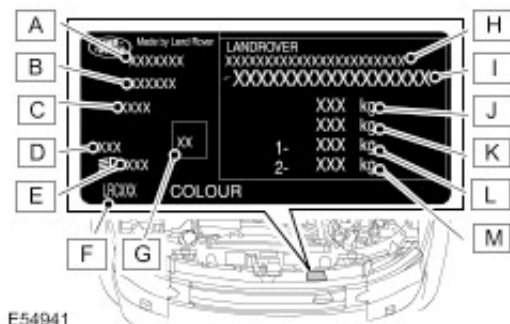
### VIN number - NAS and Canada



VIN Position	Character	Identifies
1 - 3 - World identifier	SAL	Land Rover (UK)
4 - Model range	S	Range Rover Sport
5 - Class	A	Standard
6 - Body style	2	4 Door
7 - Engine	3	428PS - AJV8 4.2 SC Petrol
7 - Engine	5	448PN - AJV8 4.4 Petrol

8- Transmission and steering	4	LHD Automatic
9 - Check digit	*	Derived by calculation
10 - Model year	5	2005
10 - Model year	6	2006
10 - Model year	7	2007
10- Model year	8	2008
11 - Plant	A	Solihull
12 -17 - Serial number	1 2 3 4 5 6	Unique six digit serial number

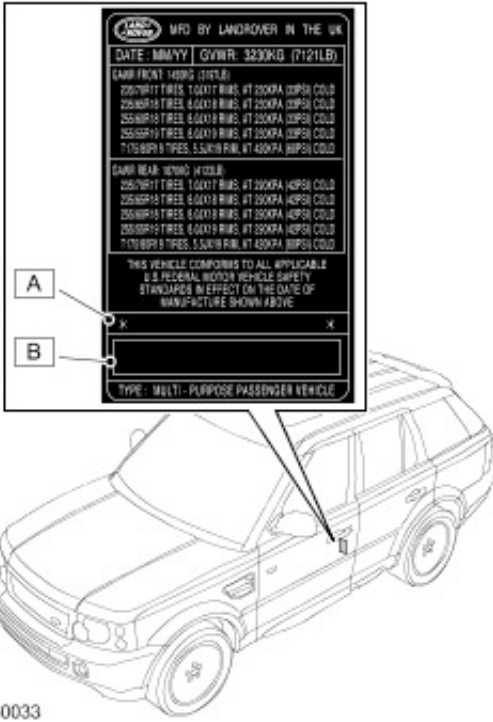
### Bonnet locking platform VIN plate - Not NAS/Canada



The VIN plate contains the following information:

- **A** - Reserved
- **B** - Engine Description
- **C** - Country
- **D** - Diesel Indicator
- **E** - Reserved
- **F** - Headlamp Code/initial aim value - If shown
- **G** - Colour code/group
- **H** - Type/Approval Number - If shown
- **I** - VIN Number
- **J** - Gross Vehicle Weight
- **K** - Gross Trailer Weight
- **L** - Front Axle Weight
- **M** - Rear Axle Weight

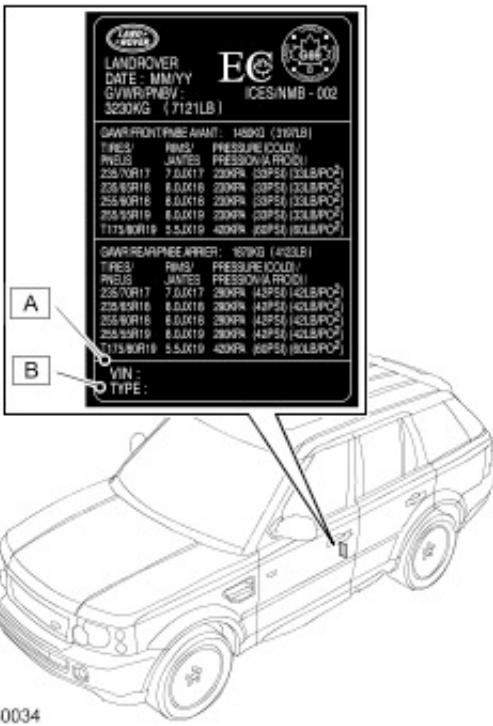
### VIN/Certification/Tire Data Label - NAS only



The Certification Label contains the following VIN information:

- A - Vehicle VIN Number
- B - Bar code identification

### VIN/Tire Pressure Specification Label - Canada only

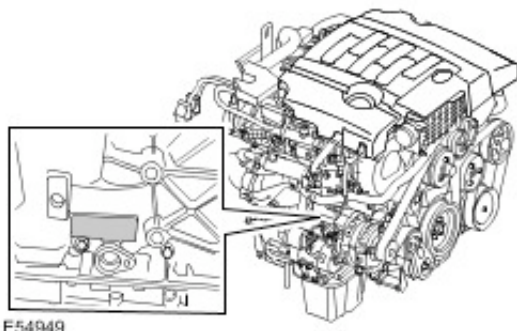


The Tire Pressure Certification Label contains the following VIN information:

- **A** - Vehicle VIN Number
- **B** - Vehicle Type

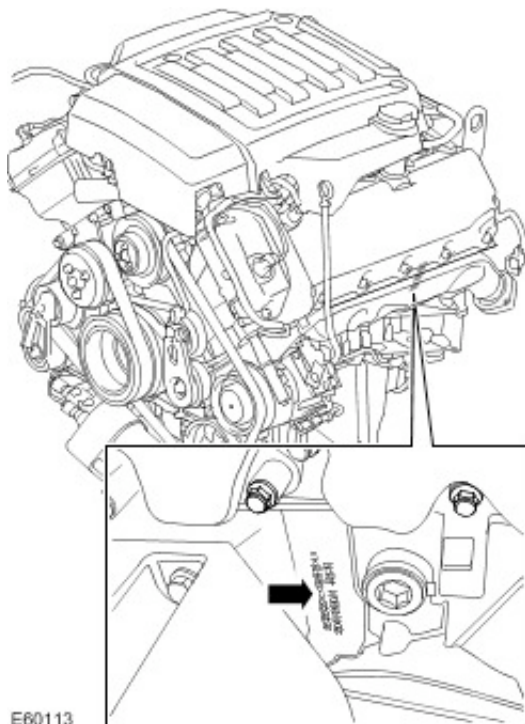
## Unit/Assembly Serial Number Locations

### 2.7 Litre V6 Diesel Engine Serial Number



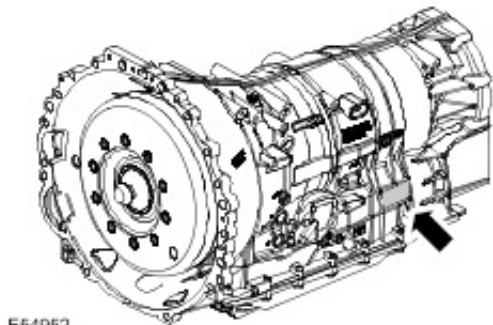
The 2.7 Litre V6 Diesel Engine Serial Number is stamped on the RH side of the cylinder block.

### 4.4 Litre V8 and 4.2 Litre V8 SC Petrol Engine Serial Number



The 4.4 Litre V8 and 4.2 Litre V8 SC Petrol Engine Serial Number is etched into the LH side of the engine block.

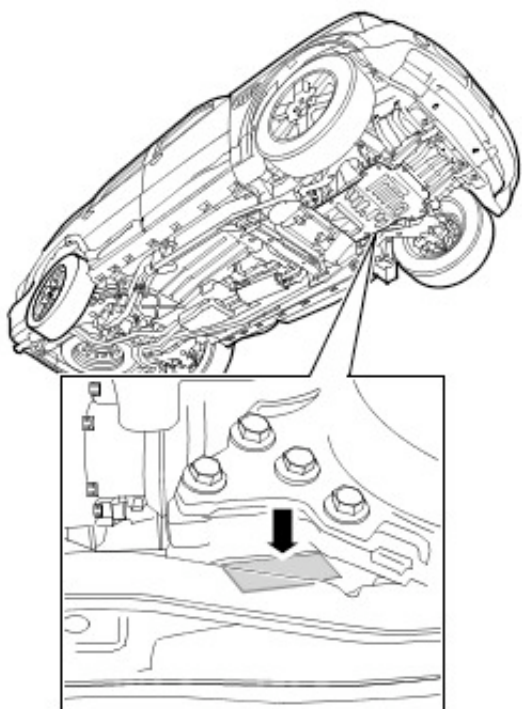
### Automatic Transmission Serial Number



E54952

The Automatic Transmission Serial Number is stamped on the rear LH side of the transmission casing.

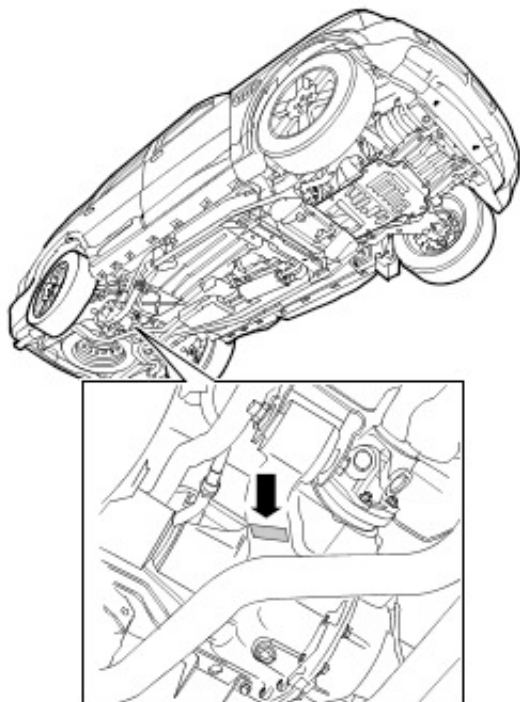
### Front Differential Serial Number



E60036

The Front Differential Serial Number is stamped on the underside of the differential casing and is located above the removable cross member.

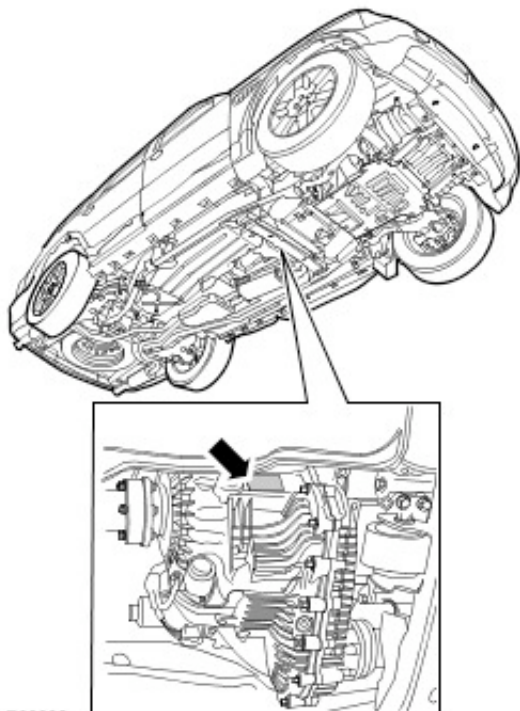
### Rear Differential Serial Number



E60037

The Rear Differential Serial Number is stamped on the underside of the differential casing adjacent to the front mounting.

### Transfer Case Serial Number



E60038

The Transfer Case serial number is stamped on the RH side of the transfer case and may also be on a bar coded self-adhesive label attached to the case.