

Upper Arm Bushing (64.35.22)

Special Service Tools

204-528-1



E50585

Remover/installer - rear suspension upper arm front bushing
204-528/1

204-528-2



E50586

Remover/installer - rear suspension upper arm front bushing
204-528/2

204-528-3



E50587

Remover/installer - rear suspension upper arm front bushing
204-528/3

204-558-1



E59154

Remover/installer rear suspension upper arm rear bushing
204-558/1

204-558-2



E59152

Remover/installer rear suspension upper arm rear bushing
204-558/2



Remover/installer rear suspension upper arm rear bushing
204-558/3

Removal

NOTE:

The bushings must be replaced in pairs, LH and RH sides.

1



WARNING: Do not work on or under a vehicle supported only by a jack. Always support the vehicle on safety stands.

Raise and support the vehicle.




2 . Remove the wheels and tires.

3 .



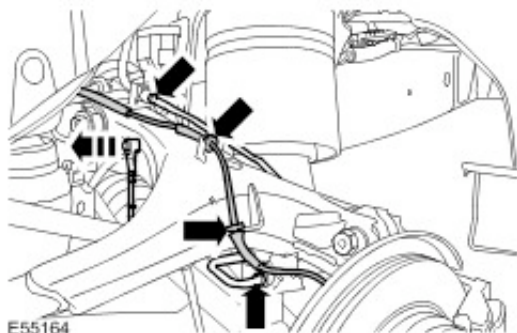
CAUTION: Always plug any open connections to prevent contamination.

Remove the brake tube.





-  Disconnect the 2 brake tube unions.
-  Remove the brake hose clips and release the hoses.
-  Release the brake tube from the clip.

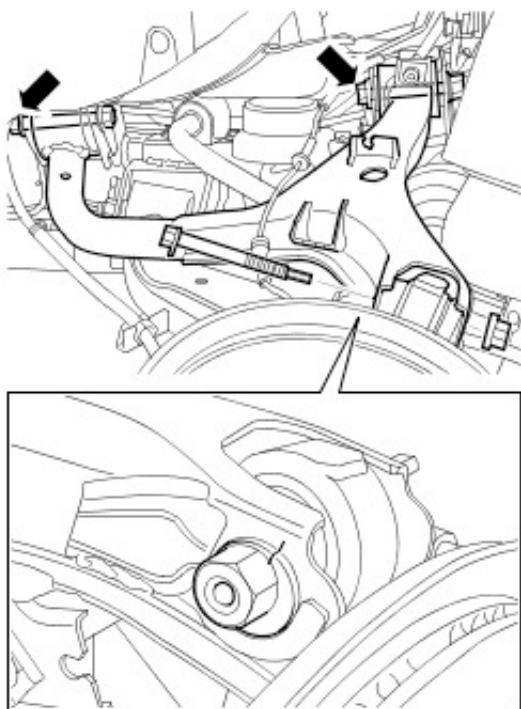
4 . Disconnect the height sensor link.

5 . Release the wheel speed sensor lead.



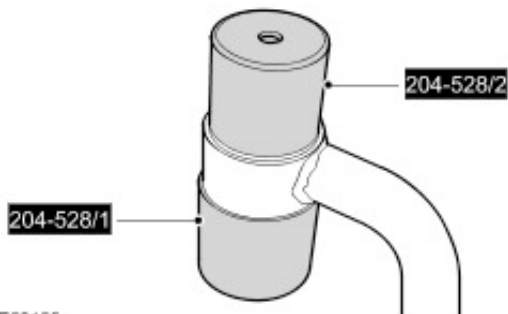
6 . Remove the LH upper arm.

-  Loosen the upper arm bolts.
-  Mark the position of the bolt in relation to the upper arm.
-  Disconnect the upper arm from the wheel knuckle.
-  Remove the upper arm bolts.



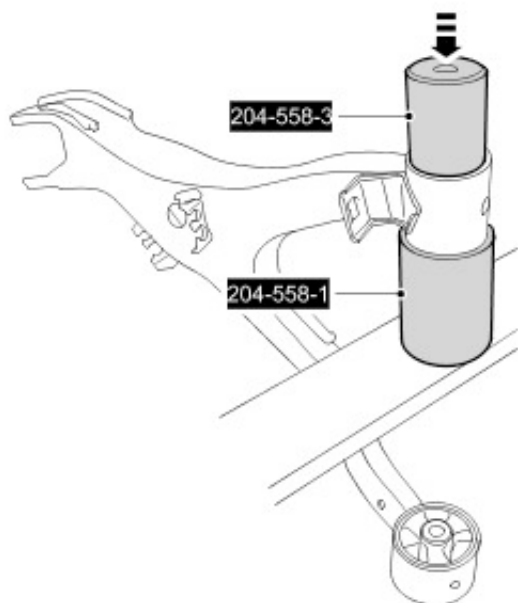
E55166

- 7 . Remove the RH upper arm.
For additional information, refer to [Upper Arm \(64.35.60\)](#)
- 8 . Mark the position of the front bushing in relation to the upper arm.
- 9 . Using the special tools, remove and discard the rear upper arm front bushing.



E59155

- 10 . Using the special tools, remove and discard the rear upper arm rear bushing.



E59156

Installation

1.

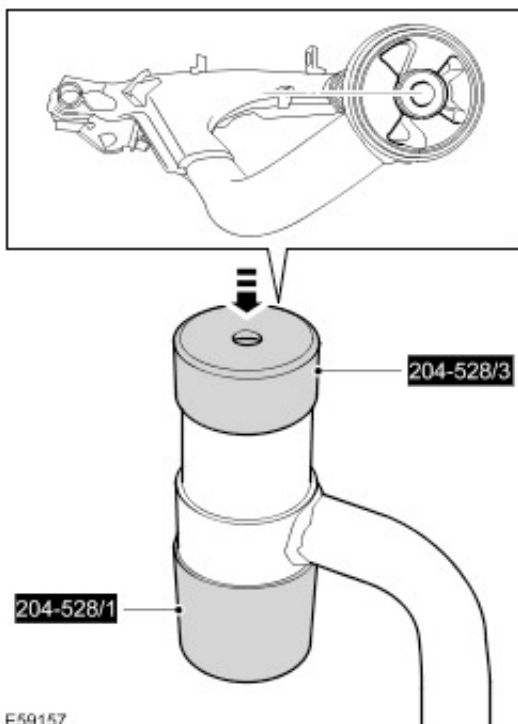


CAUTION: Make sure the bush is correctly aligned.



CAUTION: Make sure the correct special tool is used to install the bushings to the correct depth.

Using the special tools, install the rear upper arm front bushing.



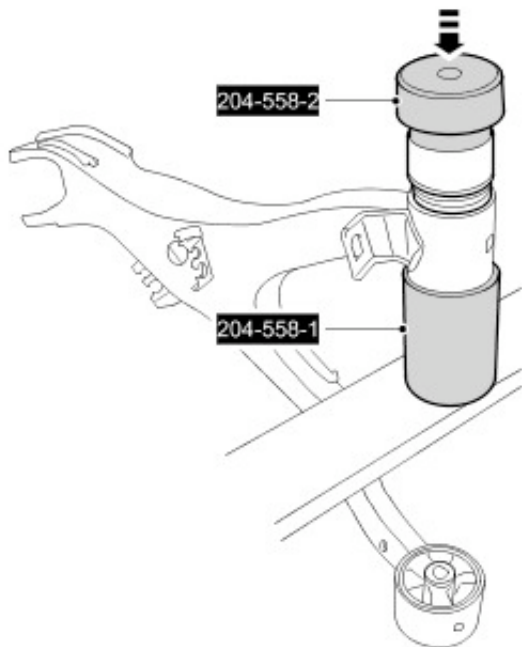
E59157

2




CAUTION: Make sure the chamfered side of the ball joint is installed to the chamfered side of the rear upper arm.

Using the special tools, install the rear upper arm rear bushing.



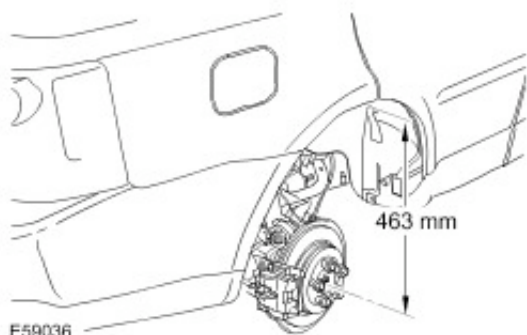
E59158

3 . Install the LH upper arm.

 Fit the bolts but do not fully tighten at this stage.

4 . Set the height, between the center of the halfshaft end and the edge of the fender trim, to 463 mm (18.23").

 Support with an axle stand.




E59036


5



CAUTION: Ensure the ball joint seal is not damaged. A damaged seal will lead to the premature failure of the joint.

Connect the upper arm and wheel knuckle.

 Align the bolt to the marks made previously.

 Tighten the bolt to 133 Nm (98 lb.ft).

6 . Tighten the upper arm front bolt to 175 Nm (129 lb.ft).


7 . Tighten the upper arm rear bolt to 275 Nm (203 lb.ft).

8 . Secure the wheel speed sensor lead.

9 . Secure the brake pad wear indicator sensor lead.

10 . Connect the height sensor link.


11 . Install the brake tube.

 Tighten the brake tube unions to 18 Nm (13 lb.ft).

12 . Install the RH upper arm.

For additional information, refer to [Upper Arm \(64.35.60\)](#)

13 . Install the wheels and tires.

 Tighten the wheel nuts to 140 Nm (103 lb.ft).