

Upper Arm Ball Joint (64.15.07)

Special Service Tools

204-525-1



E49576

Remover/installer rear upper arm ball joint

204-525/3

204-525-2



E49575

Remover/installer rear upper arm ball joint

204-525/2

204-525-1



E49574

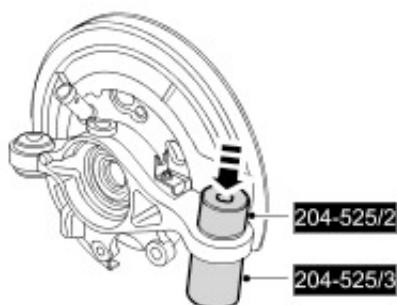
Remover/installer rear upper arm ball joint

204-525/1

Removal

- 1 . Remove the wheel knuckle.
For additional information, refer to [Wheel Knuckle \(64.35.10\)](#)
- 2 . Using the special tools, remove the ball joint.

 Position machined face against the special tool.



E49577

Installation

1 . Clean the components.

2



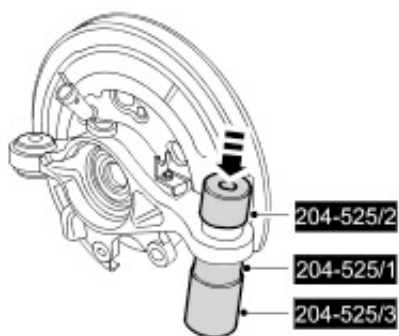
CAUTION: Ensure the ball joint seal is not damaged. A damaged seal will lead to the premature failure of the joint.



CAUTION: If the push in force is less than 10 kN the wheel knuckle must be replaced.

Using the special tools, install the ball joint.

 Position machined face against the special tool.



3 . Install the wheel knuckle.

For additional information, refer to [Wheel Knuckle \(64.35.10\)](#)