

## Wheel Bearing and Wheel Hub (60.25.14)

### Special Service Tools

204-506/1



Halfshaft remover/replacer  
204-506/1 (LRT-60-030/1)

204-506/2



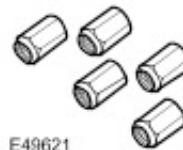
Halfshaft remover/replacer  
204-506/2(LRT-60-030/2)

204-506/3



Halfshaft remover/replacer  
204-506/3 (LRT-60-030/3)

204-506/5



Retainers - halfshaft remover/replacer  
204-506/5 (LRT-60-030/5)

204-506-01



Halfshaft installer adapter  
204-506-01

## Removal

1 .

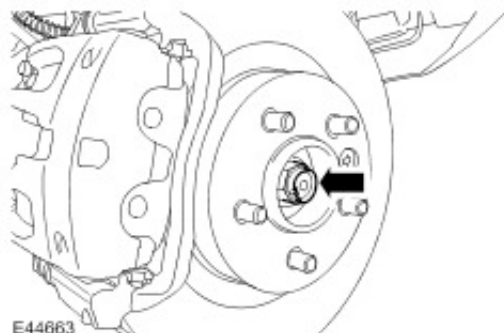


**WARNING: Do not work on or under a vehicle supported only by a jack. Always support the vehicle on safety stands.**

Raise and support the vehicle.

2 . Remove the wheel and tire.

3 . Loosen the halfshaft retaining nut.



4 . Remove the brake disc.

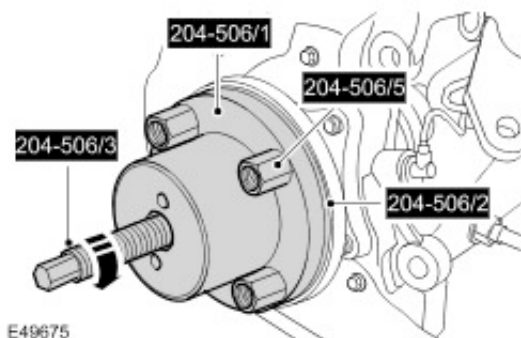
For additional information, refer to [Brake Disc - Vehicles Without: Brembo Brakes \(70.12.10\)](#)

5 . Remove the halfshaft retaining nut.



Discard the nut.

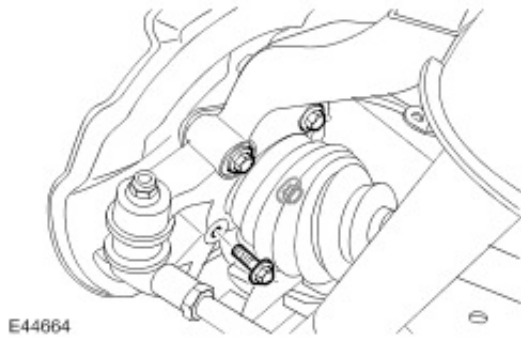
6 . Using the special tools, release the halfshaft from the wheel hub.



7 . Remove the wheel hub.

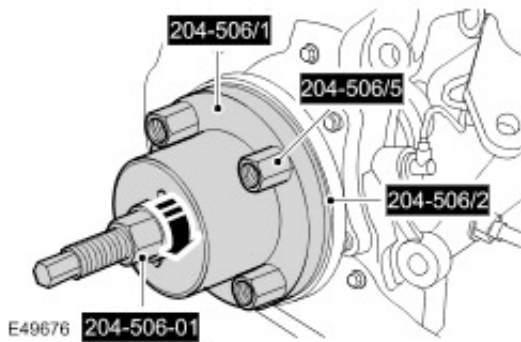


Remove the 4 bolts.



## Installation

- 1 . Clean the components.
- 2 . Install the wheel hub.
  - ▶ Using the special tools, install the halfshaft in the wheel hub.
  - ▶ Tighten the 4 bolts to 115 Nm (85 lb.ft).



- 3 . Install a new halfshaft retaining nut and lightly tighten.
- 4 . Install the brake disc.  
For additional information, refer to [Brake Disc - Vehicles Without: Brembo Brakes \(70.12.10\)](#)
- 5 . Tighten the new halfshaft retaining nut to 350 Nm (258 lb.ft).
  - ▶ Stake the nut to the halfshaft.
- 6 . Install the wheel and tire.
  - ▶ Tighten the wheel nuts to 140 Nm (103 lb.ft).