

## Lower Arm Ball Joint (60.15.03)

### Special Service Tools

204-531/3



E51733

Remover/installer front lower arm ball joint  
204-531/3

204-531/2



E51732

Remover/installer front lower arm ball joint  
204-531/2

204-531/1



E51731

Remover/installer front lower arm ball joint  
204-531/1

### Removal

1



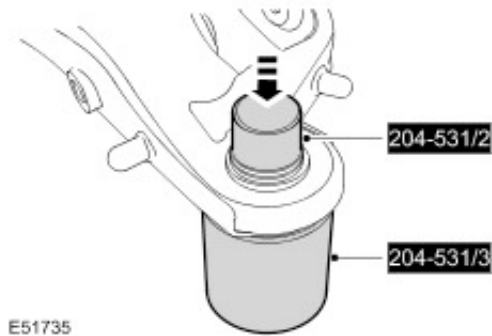
**WARNING: Do not work on or under a vehicle supported only by a jack. Always support the vehicle on safety stands.**

Raise and support the vehicle.

- 2 . Remove the wheel and tire.
- 3 . Remove the lower arm.  
For additional information, refer to [Lower Arm \(60.35.02\)](#)
- 4 . Remove the circlip.

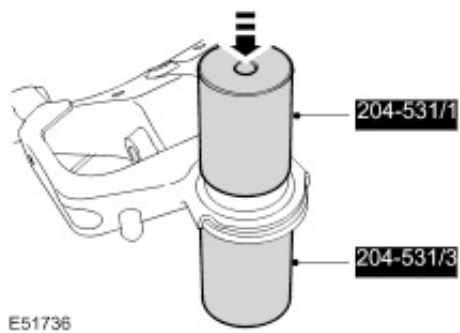


5 . Using the special tools, remove the ball joint.




## Installation

- 1 . Clean the components.
- 2 . Using the special tools, install the ball joint.



- 3 . Install the circlip.
- 4 . Install the lower arm.  
For additional information, refer to [Lower Arm \(60.35.02\)](#)
- 5 . Install the wheel and tire.

 Tighten the wheel nuts to 140 Nm (103 lb.ft).