

## Rear Door Trim Panel (76.34.04)

### Removal

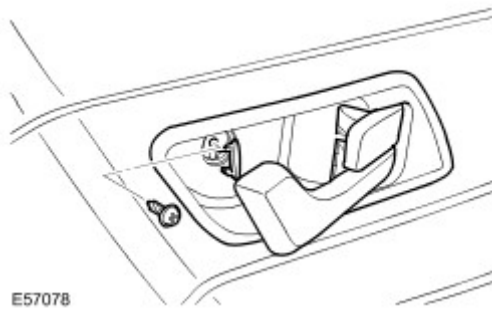
- 1 . Starting at the lower edge, carefully remove the grab handle cover.

▶ Release the 3 clips.



- 2 . Remove the screw securing the door latch remote release.

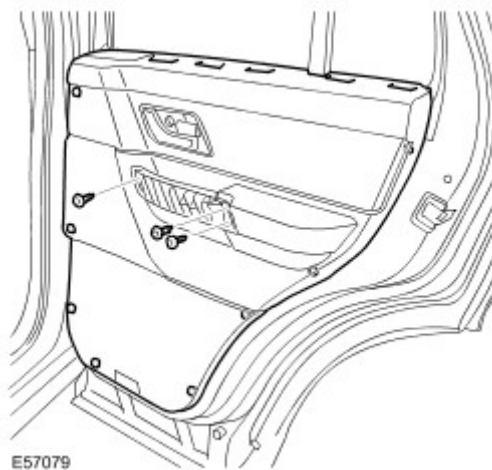
▶ Release the screw cover.



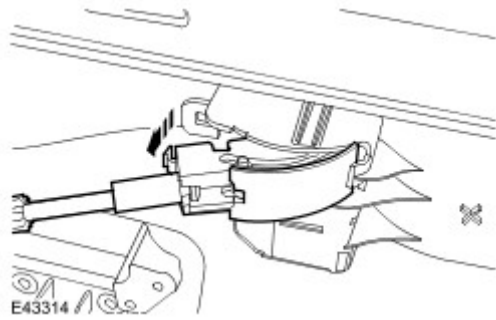
- 3 . Release the rear door trim panel.

▶ Remove the 3 screws.

▶ Release the 13 clips.

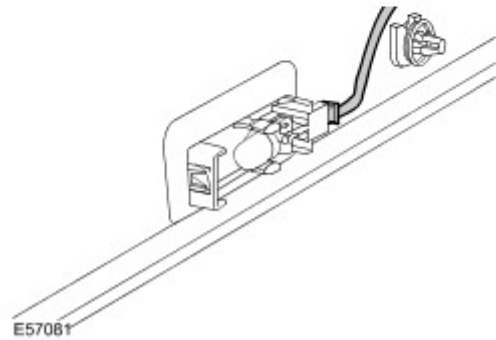


- 4 . Disconnect the door latch remote release cable.



5 . Remove the rear door trim panel.

▶ Disconnect the 3 electrical connectors.

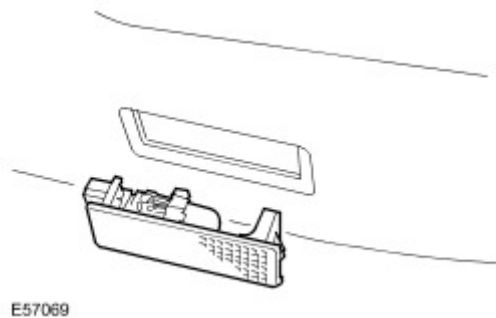


6 . **NOTE:**

Do not disassemble further if the component is removed for access only.

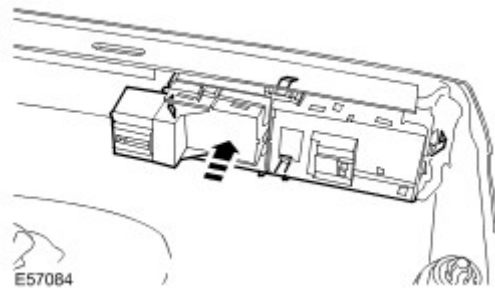
Remove the puddle lamp.

▶ Carefully release the lamp.



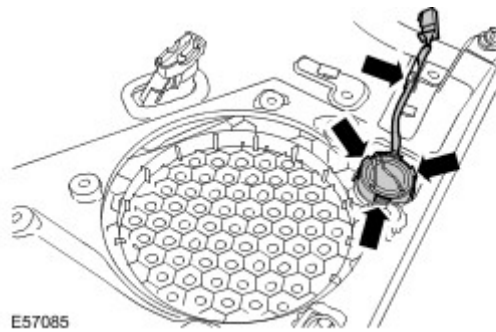
7 . Remove the window control switch.

▶ Carefully release the 4 clips.



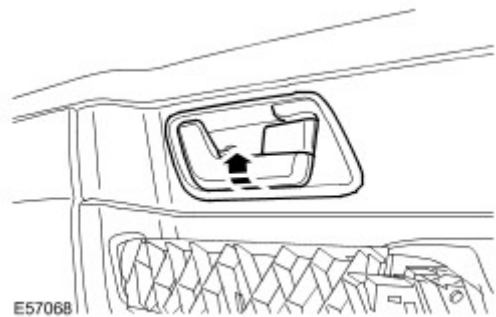
8 . Remove the tweeter.

- ▶ Release the wiring harness.
- ▶ Release the 3 clips.



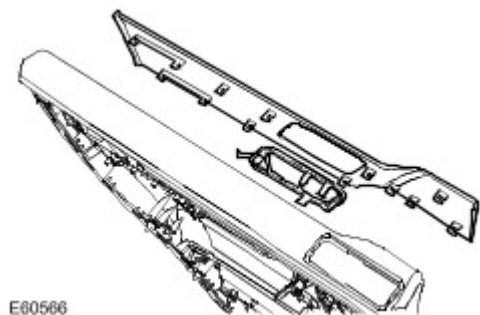
9 . Remove the rear door latch remote control handle.

- ▶ Starting at the lower edge, carefully release the remote handle.



10 . Remove the trim panel finisher.

11 . Remove the door latch remote control handle retainer.



12 . Remove the 8 clips.



## Installation

- 1 . Install the clips.
- 2 . Install the door latch remote control handle retainer.
- 3 . Install the trim panel finisher.
- 4 . Install the rear door latch remote control handle.
- 5 . Install the tweeter.
  - ▶ Secure the wiring harness.
- 6 . Install the window control switch.
  - ▶ Secure with the clips.
- 7 . Install the puddle lamp.
- 8 . Install the rear door trim panel.
  - ▶ Connect the electrical connectors.
  - ▶ Connect the door latch remote control cable.
  - ▶ Secure with the clips.
  - ▶ Tighten the screws.
- 9 . Install the screw securing the door latch remote release.
  - ▶ Secure the screw cover.
- 10 . Install the grab handle cover.