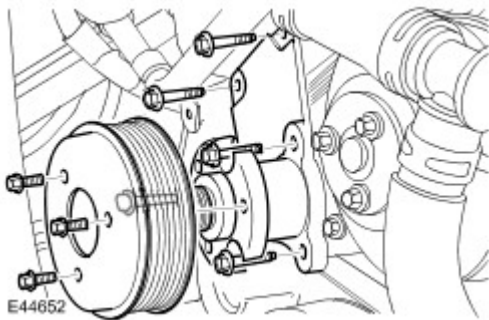


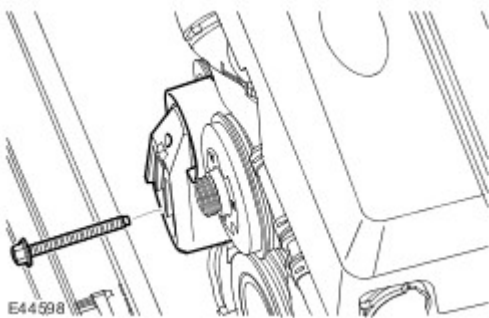
Accessory Drive Belt (86.10.03)

Removal

- 1 . Disconnect the battery ground cable.
For additional information, refer to [Specifications](#)
- 2 . Remove the cooling fan drive belt.
For additional information, refer to [Cooling Fan Belt \(26.25.01\)](#)
- 3 . Remove the cooling fan drive pulley.
▶ Remove the 3 bolts.
- 4 . Remove the cooling fan drive hub bearing.
▶ Remove the 5 bolts.



- 5 . Remove the cooling fan belt tensioner.
▶ Remove the bolt.



- 6 . Release the accessory drive belt.
▶ Rotate the accessory drive belt tensioner counterclockwise.



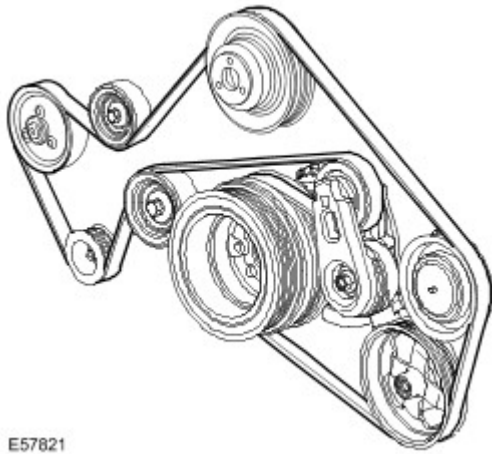
7 . NOTE:

Note the fitted position.

Remove the accessory drive belt.

Installation

- 1 . Install the accessory drive belt.



- 2 . Install the cooling fan belt tensioner.
 - ▶ Tighten the M10 bolt to 45 Nm (33 lb.ft).
- 3 . Install the cooling fan drive hub bearing.
 - ▶ Tighten the bolts to 10 Nm (7 lb.ft).
- 4 . Install the cooling fan drive pulley.
 - ▶ Tighten the bolts evenly to 25 Nm (18 lb.ft).
- 5 . Install the cooling fan drive belt.
 - For additional information, refer to [Cooling Fan Belt \(26.25.01\)](#)
- 6 . Connect the battery ground cable.
 - For additional information, refer to [Specifications](#)